

Overview

EXo8 output expander feature 8 channels of DA converters that produce high quality analog audio by converting digital output from MTX/MRX series processors via YDIF.



Rear Panel

Features

- 8ch analog output, 16 digital I/O (via YDIF*)
- Signal processor MTX/MRX series can expand YDIF* equipped outputs with Exo8 output expander
- Easy setup and parameter control with MTX Editor

* YDIF: the newly developed digital transmission format; a unique propriety Yamaha technology that delivers 16ch audio and word clock transmission via standard CAT5 Ether cable

Specifications

Analog Output Specifications

Output Terminal	Actual Source Impedance	For Use with Nominal	Output Level		Connector
			Nominal	Max. before Clip	
OUTPUT 1-8	75Ω	10kΩ Lines	+4dBu	+24dBu	Euroblock

Digital Input And Output Specifications

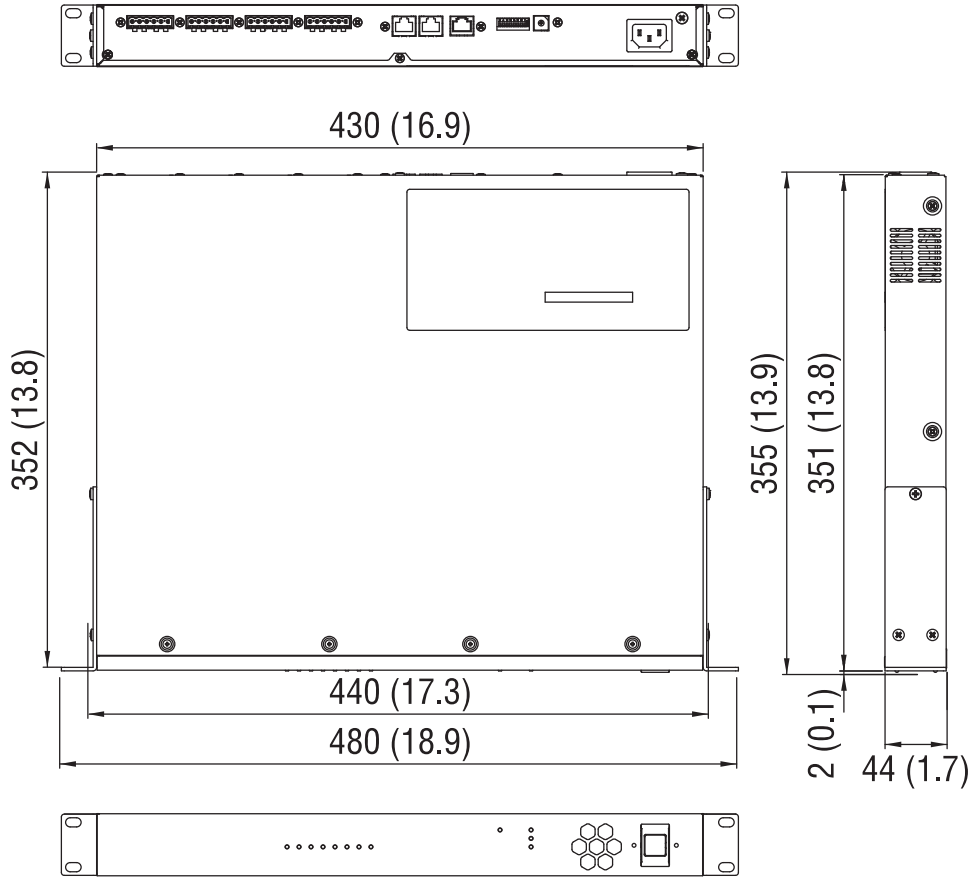
Terminal	Format	Level	IN/OUT	Connector
YDIF In	YDIF	RS-422	16 IN	RJ45
YDIF Out	YDIF	RS-422	16 OUT	RJ45

Control I/O Specifications

Terminal	Format	Level	Connector
Network	Ethernet 100Base-TX	-	RJ-45

Dimensions

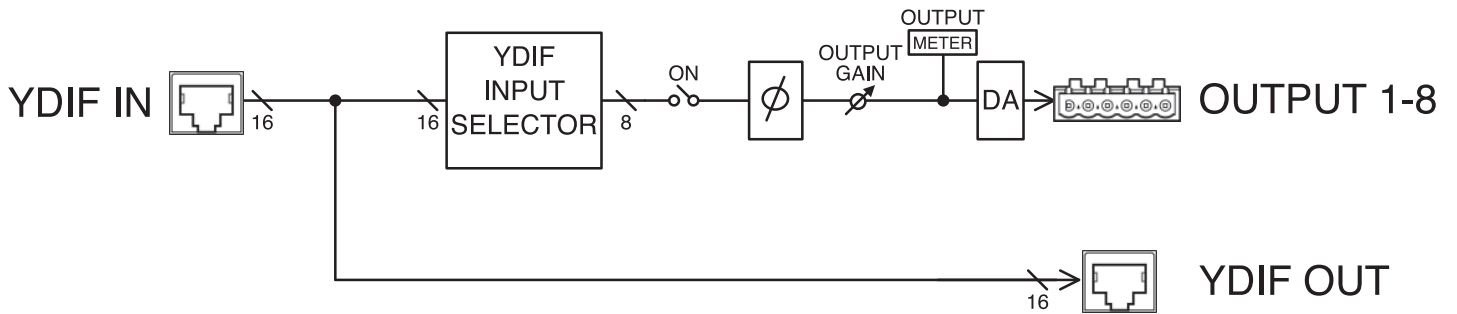
Unit: mm (inch)



Software

- MTX-MRX Editor
- ProVisionaire Touch
- Wireless DCP

Block Diagrams



*All information subject to change without notice.
*All trademarks and registered trademarks are property of their respective owners.
Created in March, 2017