

Rack Mounting Hardware

RM-44S/RM-44D/RM-SH/RM-SF/RM-SFL/RM-SBP

<User Guide>

Ver.3.0.0

- Thank you for choosing our product.
- To ensure the best performance of this product, please read this user guide fully and carefully before using it and keep this manual together with the product for future reference as needed.

Before reading this manual

- All rights reserved.
- Some information contained in this document may differ depending on the product version.
- This User guide is subject to change without notice. You can download the latest version from IDK's website at: <http://www.idkav.com>



■ For installing products:



Prohibited

- **Do not use screws other than supplied screws.**
Failure to observe this precaution may result in damage to the product.

Included items

Verify that all items listed below are included in the package.
 If any items are missing or damaged, please contact IDK.

RM-44S	
Mounting bracket (Short)	1
Mounting bracket (Long)	1
M4 screw (Binding head, M4xL6)	6

RM-44D	
Mounting bracket (Short)	2
Connecting bracket	2
M4 screw (Binding head, M4xL6)	12
M3 screw (Binding head, M3xL5)	6*

RM-SH	
Shelf plate (Half)	1
Mounting bracket (Short)	1
M4 screw (Binding head, M4xL6)	6
M3 screw (Low head, M3xL4)	6*

RM-SF	
Shelf plate (Full)	1
M3 screw (Low head, M3xL4)	10*

RM-SBP	
Blank panel	1
M3 screw (Low head, M3xL4)	2

RM-SFL	
Shelf plate (Long)	1
M3 screw (Low head M3xL4)	10*

* Two (2) extra screws are included.

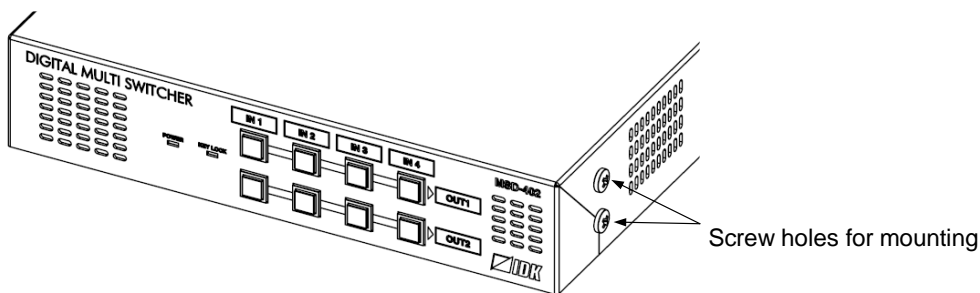
Precaution

Please observe the following precautions.

- Power off all devices before installation.
- Remove the rubber feet from the bottom of the chassis, if any.
- Dissipate static electricity before installation. Failure to observe this precaution may result in ESD (electrostatic discharge) damage.
- The appropriate screw tightening torque: M3 : 0.59 N·m (6.1 kgf·cm, approx.)
M4 : 1.47 N·m (15.0 kgf·cm, approx.)
- Keep enough space for ventilation to avoid rise in rack temperature.

<For half-rack 1U devices>

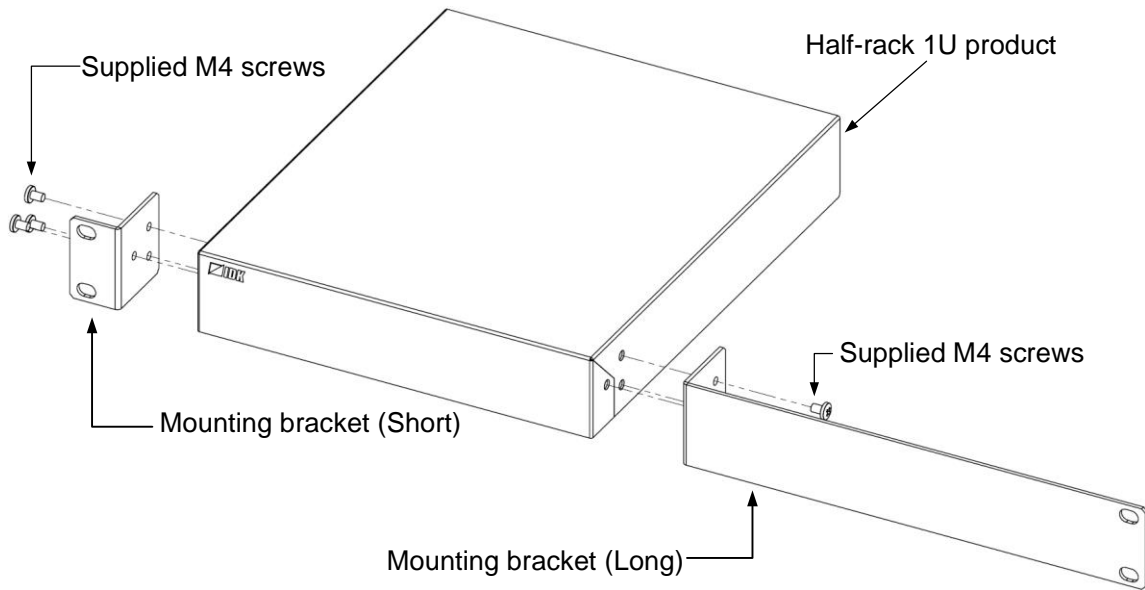
- Some half-rack 1U devices have two (2) screw holes.
- For devices already having screws, remove these screws before installation.



[Fig. 1] Screw holes for mounting

RM-44S

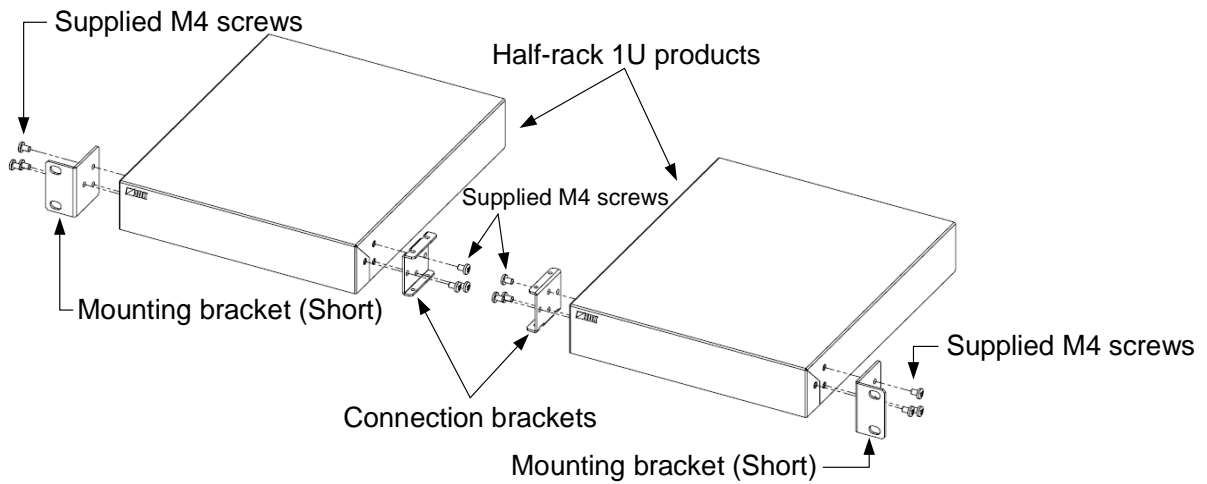
Attach the RM-44S mounting brackets (short and long) to the half-rack 1U device using the supplied M4 screws.



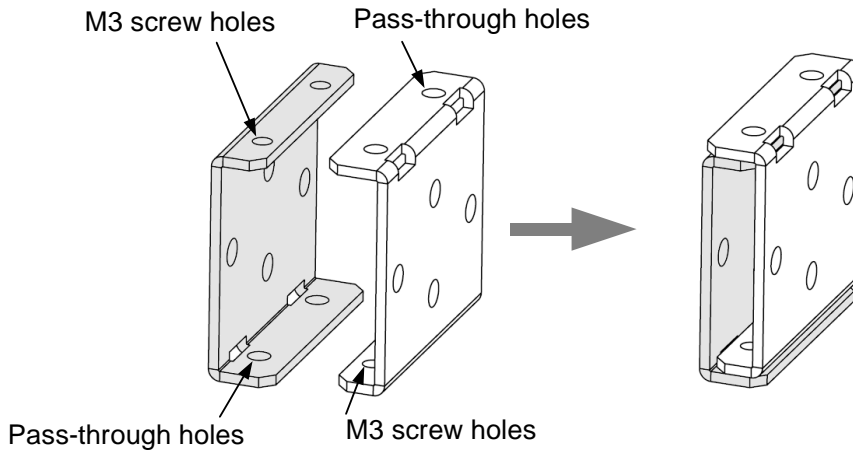
[Fig. 2] Attaching RM-44S brackets

RM-44D

1. Attach the RM-44D mounting brackets (short) and connection brackets to the half-rack 1U device using the supplied M4 screws.

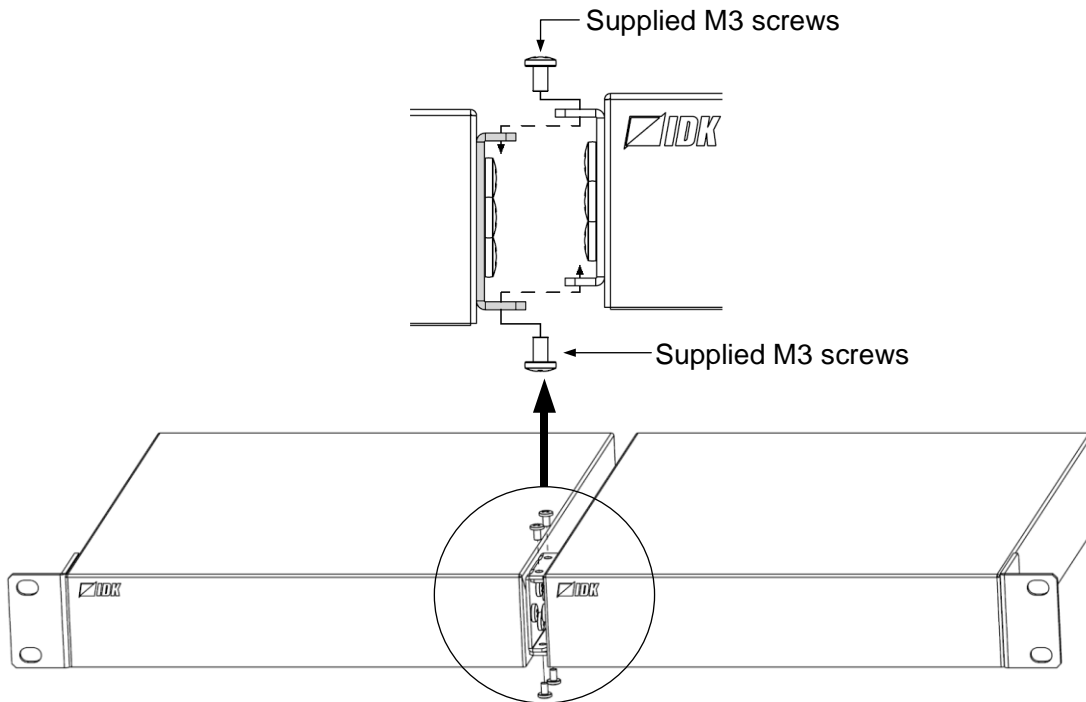


[Fig. 3] Attaching RM-44D brackets



[Fig. 4] RM-44D Connection brackets

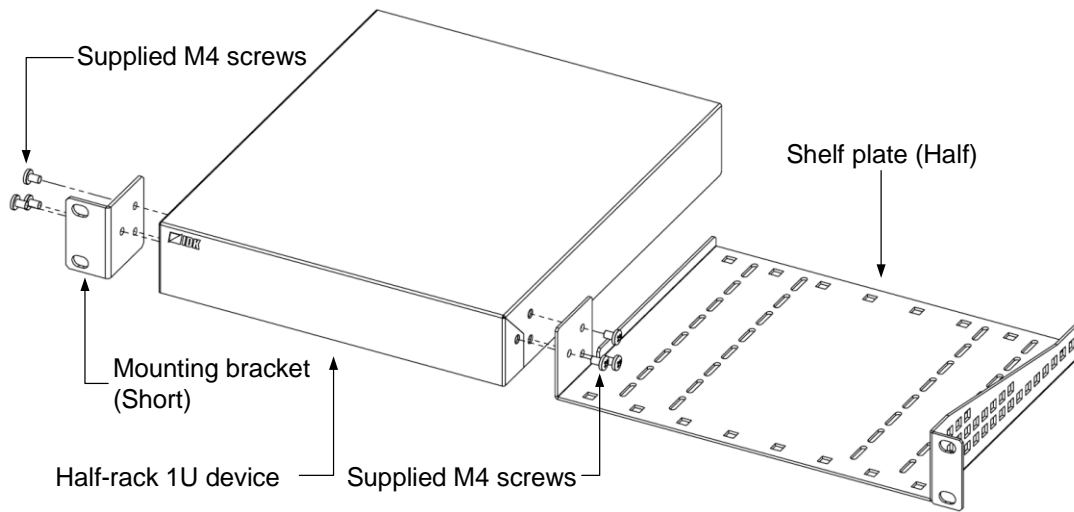
2. Connect the connection brackets using the supplied M3 screws.



[Fig. 5] Connecting half-rack 1U devices

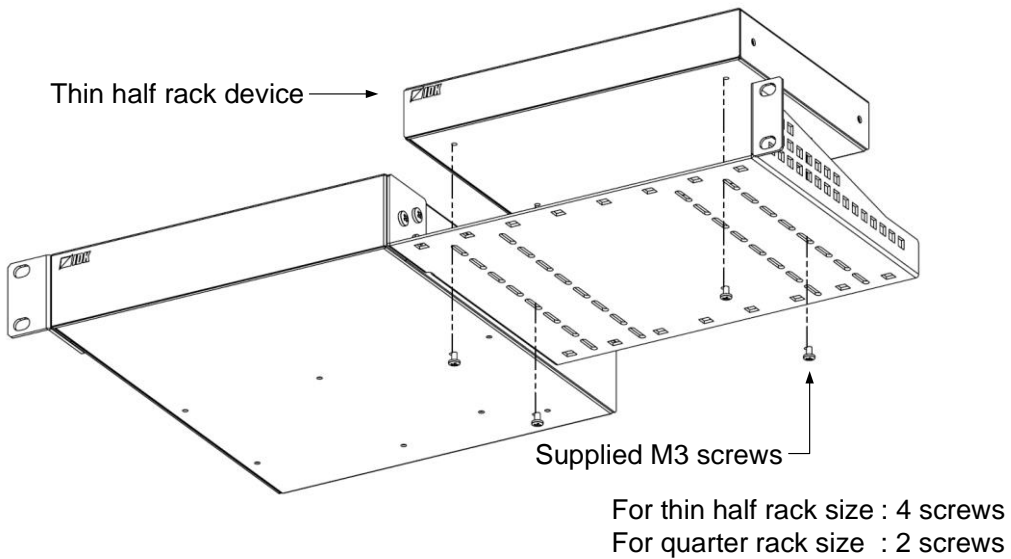
RM-SH

1. Attach the RM-SH shelf plate (half) to the half-rack 1U device using the supplied M4 screws.



[Fig. 6] Attaching RM-SH plate

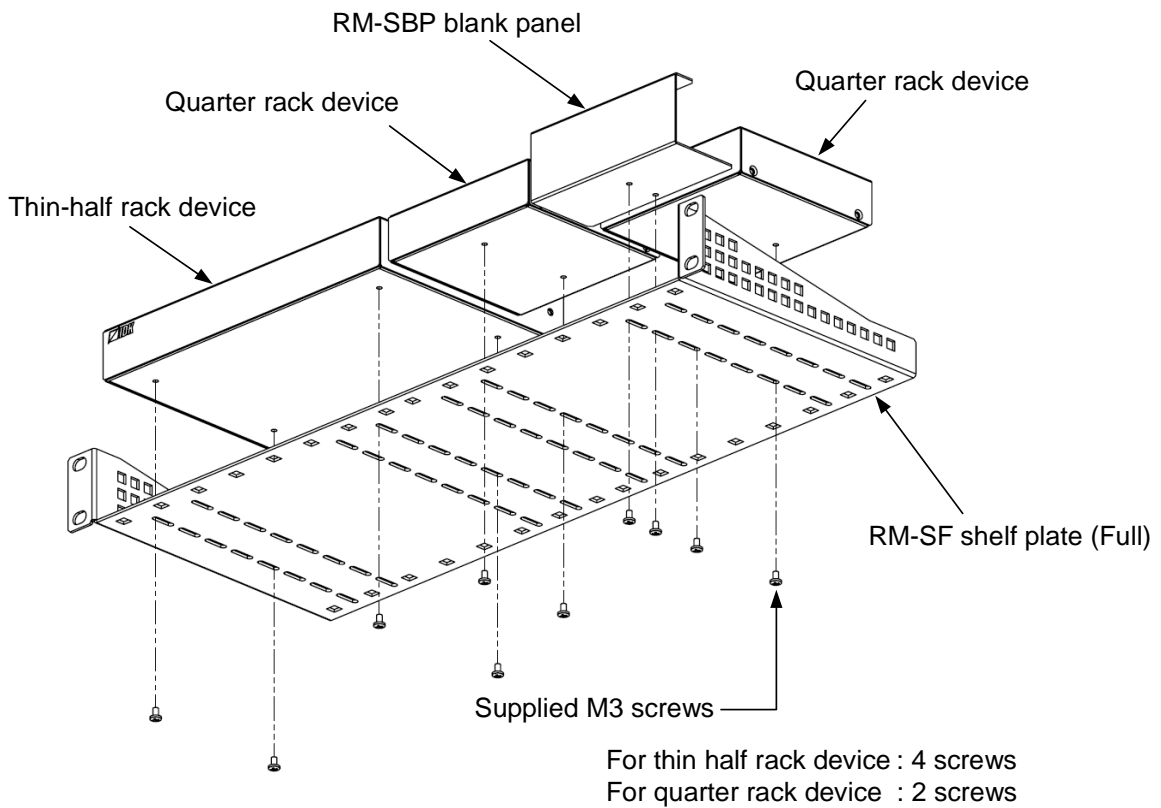
2. Mount the device to the RM-SH shelf plate (half) using the supplied M3 screws as shown below. One (1) thin half rack device or two (2) quarter-rack devices can be mounted to one (1) RM-SH shelf plate (half).



[Fig. 7] Mounting device to RM-SH shelf plate (half)

RM-SF/RM-SFL

Mount the device to the RM-SF shelf plate (full) using the supplied M3 screws as shown below. Two (2) thin-profile, half rack devices or four (4) quarter-rack devices can be mounted to one (1) RM-SF shelf plate.

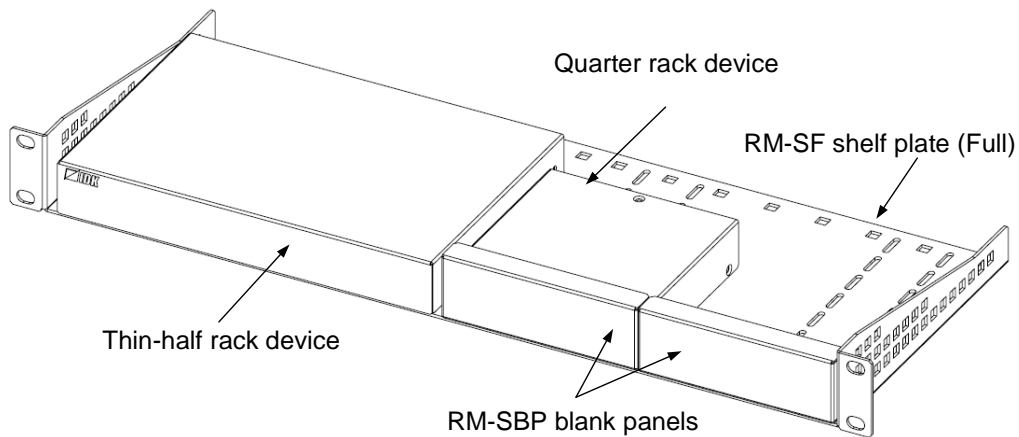


[Fig. 8] Attaching RM-SF plate

RM-SBP

Attach the RM-SBP blank panel to the RM-SH shelf plate (half) using the supplied M3 screws. One (1) RM-SBP blank panel is used for quarter rack size; two (2) RM-SBP blank panels are used for half rack size.

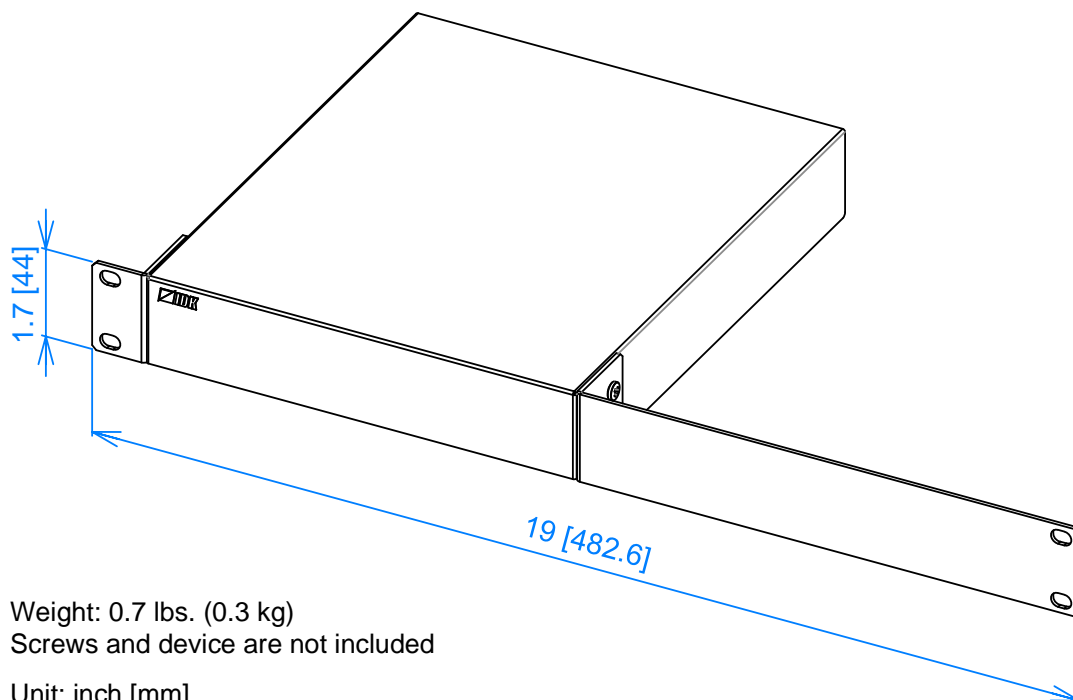
RM-SBP blank panel + RM-SF shelf plate



[Fig. 9] RM-SBP + RM-SF

Dimension and weight

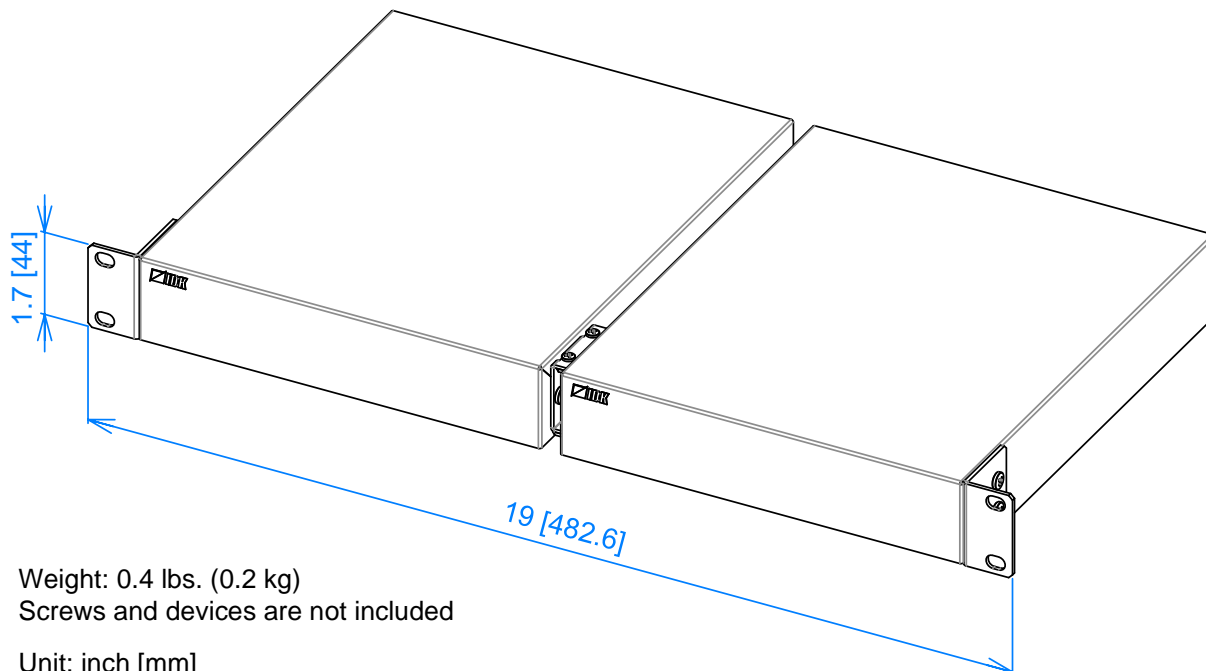
■ RM-44S



Weight: 0.7 lbs. (0.3 kg)
Screws and device are not included
Unit: inch [mm]

[Fig. 10] RM-44S

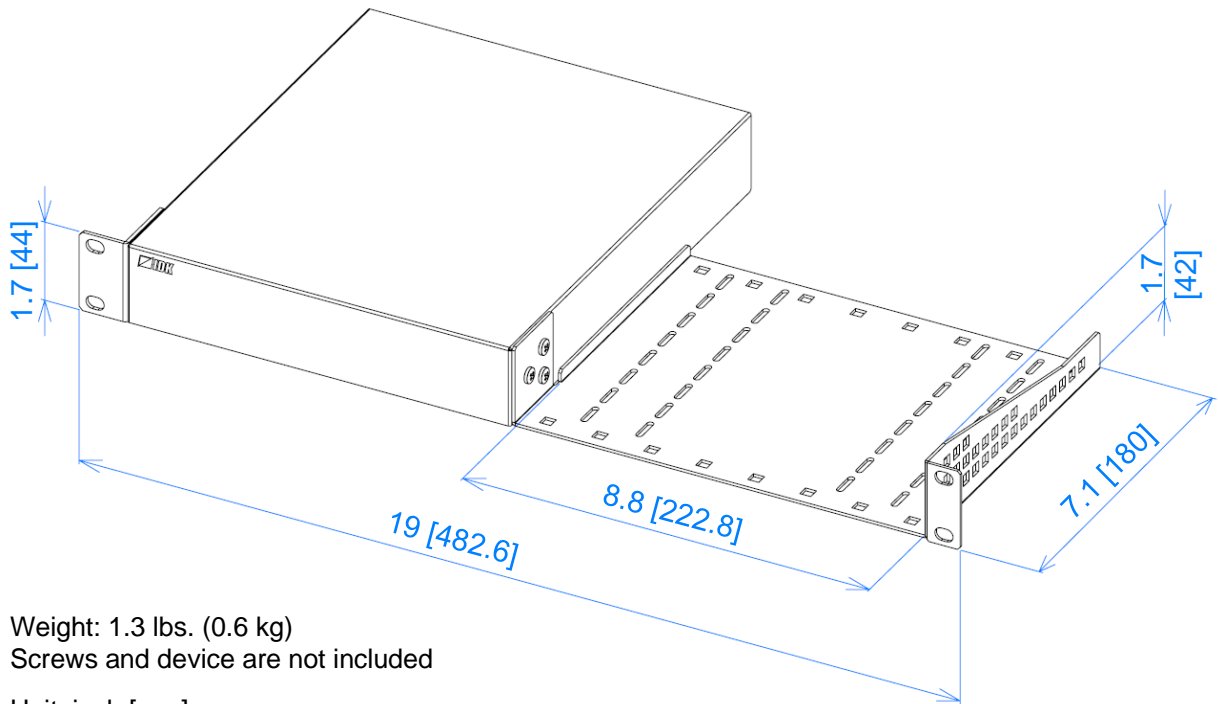
■ RM-44D



Weight: 0.4 lbs. (0.2 kg)
Screws and devices are not included
Unit: inch [mm]

[Fig. 11] RM-44D

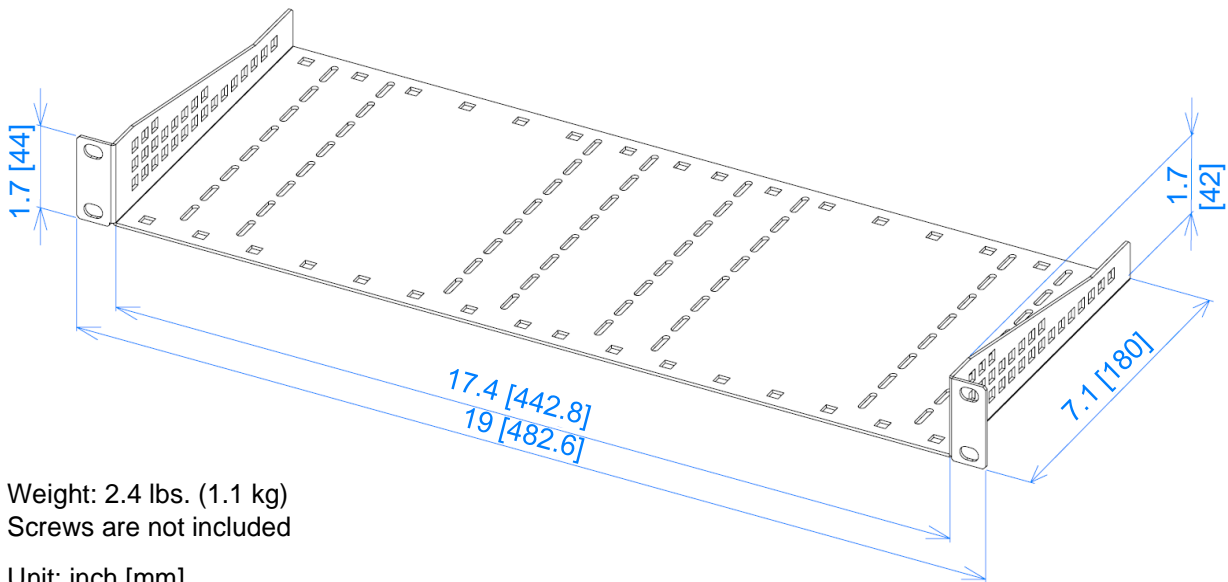
■ RM-SH



Weight: 1.3 lbs. (0.6 kg)
 Screws and device are not included
 Unit: inch [mm]

[Fig. 12] RM-SH

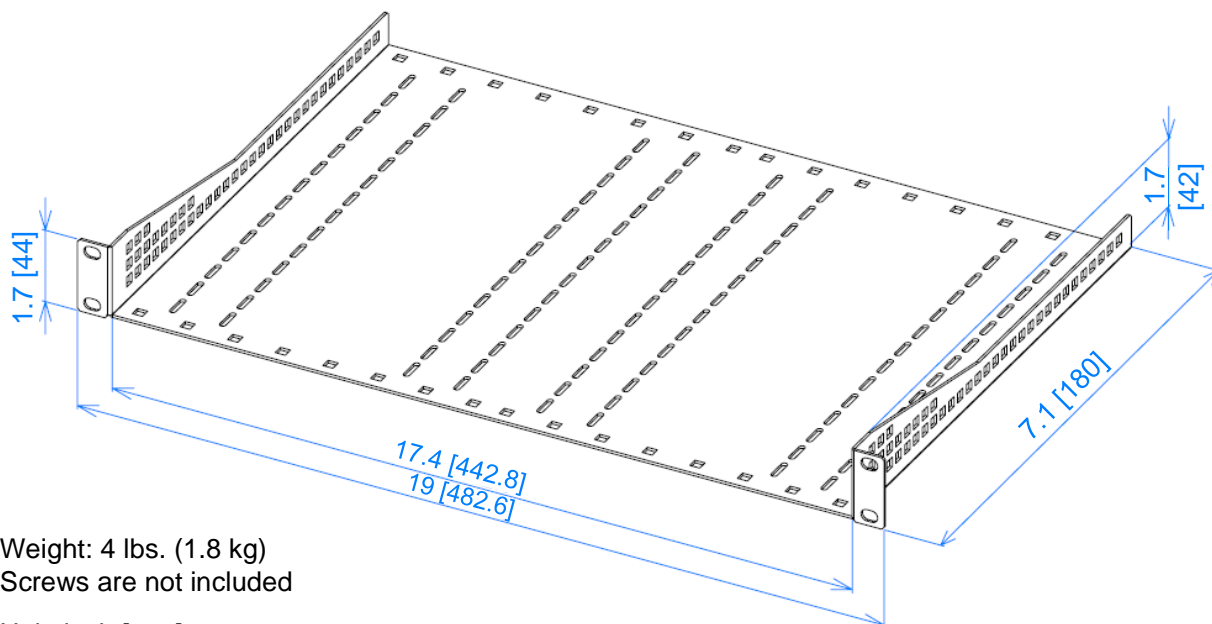
■ RM-SF



Weight: 2.4 lbs. (1.1 kg)
 Screws are not included
 Unit: inch [mm]

[Fig. 13] RM-SF

■ RM-SFL

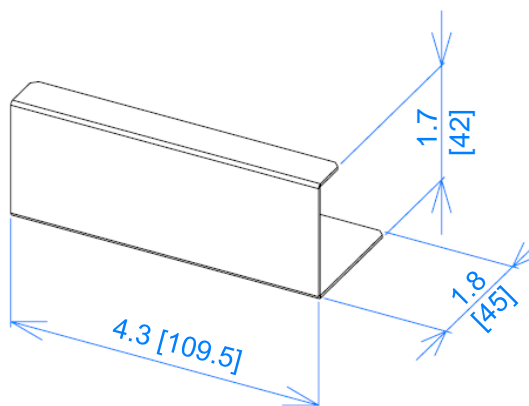


Weight: 4 lbs. (1.8 kg)
Screws are not included

Unit: inch [mm]

[Fig. 14] RM-SFL

■ RM-SBP



Weight: 0.2 lbs. (74 g)
Screws are not included

Unit: inch [mm]

[Fig. 15] RM-SBP

User Guide of RM-44S/RM-44D/RM-SH/RM-SF/RM-SFL/RM-SBP
Ver.3.0.0
Issued on: 1 December 2020



Headquarters

IDK Corporation
7-9-1 Chuo, Yamato-shi, Kanagawa-pref.
242-0021 JAPAN
TEL: +81-46-200-0764 FAX: +81-46-200-0765
URL: <http://www.idkav.com>

Email: idk_eng@idk.co.jp

USA

IDK America Inc.
72 Grays Bridge Road Suite 1-C, Brookfield, CT 06804
TEL: +1-203-204-2445
URL: <http://www.idkav.com>

Email: sales@idkav.com

Europe

IDK Europe GmbH
Lise-Meitner-Str. 6, D-40878 Ratingen
TEL: +49-2102-578-301-0
URL: <http://www.idkav.com>

Email: info@idkav.eu



**Product information
Support**

Arvanics Corporation
7-9-1 Chuo, Yamato-shi, Kanagawa-pref.
242-0021 JAPAN
TEL: +81-46-259-6920 FAX: +81-46-259-6930
URL: <http://www.arvanics.com>

Email: info@arvanics.com

Information in this document is subject to change without notice.
©2019 IDK Corporation, all rights reserved. All trademarks mentioned are the property of their respective owners.