

HDMI-4K De-embedder

4K UHD HDMI Audio De-embedder

Part No 9133 0008



HDMI-4K De-embedder is a multifunctional interface which is capable of de-embedding the PCM audio stream (other HDMI audio formats are passed through). Audio out is a 5-pole Phoenix socket. The unit also features a 3.5 jack output for headphone monitoring.

HDMI-4K De-embedder has a built-in EDID Management and Pixel Accurate Reclocking, supporting DVI and HDMI 1.4 signals with or without HDCP encryption. The output signal is reclocked and stabilized using Lightware Pixel Accurate Reclocking technology to remove jitter caused by long cables or poor quality sources.

HDMI-4K De-embedder features Advanced EDID Management and can emulate any HDMI display for continuous video output, even if the attached display is disconnected or powered down. HDCP enable/disable function turns off the unit's HDCP capability, which helps integrate certain laptops into a non-HDCP AV environment. The EDID memories from 1 to 55 are factory preset, the memories from 62 to 98 are user programmable. EDID memories from 56 to 61 are for universal EDID presets. Memory 0 is transparent for output, so using this setting the EDID of the last attached display device (monitor or projector) will be reported to the source. With the Easy EDID Creator (PC software wizard) the users can create their own EDID by completing four simple steps. Experienced users can use the Advanced EDID Editor software to manage every possible setting in the EDID, which can be uploaded to the user programmable memory of the HDMI-4K De-embedder.

HDMI-4K De-embedder can be rack-mounted or used standalone. The unit is equipped with the highest grade gold plated connectors to ensure reliable connection.

Applications

- Rental and staging
- Military
- Medical
- Digital Signage
- Multiroom video
- Conference rooms, collaborative telepresence

Features:

- Multifunctional interface for de-embedding the PCM audio stream
- 4K / UHD (30Hz RGB 4:4:4, 60Hz YCbCr 4:2:0) and 3D capabilities
- Multiple powering options over DC plug, USB or HDMI 5V input
- Local audio De-Embedding
- Keeps source's HDMI or DVI output continuously active
- HDCP enable/disable function
- Signal detection, source detection and monitor detection LEDs
- USB control
- Cable loss compensation at Input
- Built-in Advanced EDID Management
- Pixel Accurate Reclocking
- HDCP compliant
- 5-pole Phoenix Balanced Output
- 3.5mm Headphone Output
- Built-in Video Testpattern Generator
- Deep color support
- Daisy chain support
- Free Easy EDID Creator PC software
- Rack mounted or standalone use
- Gold-plated connectors

HDMI-4K De-embedder

Specifications

| | |
|-----------------------------|--|
| Data rate per TMDS channel: | 3 Gbps |
| Max resolution: | 3840 x 2400 or 4096 x 2160 |
| Reclocking: | Yes |
| HDCP pass through: | Yes |
| Input cable equalization: | Automatic max 20m @4k30, or 30m @1080p60 |
| Digital audio formats | Supports up to 8 channel PCM (de-embed and pass-through), Dolby TrueHD and DTS-HD Master Audio 7.1 (pass-through only) formats |
| Front panel control: | Yes, EDID learn button, EDID selector switch |
| LED indicators: | Live, Video Input Status, Audio Signal Format, Video Output Status |
| EDID emulation: | Yes, Advanced EDID management with 99 EDID memories |
| EDID memory: | 55 factory preset , 6 universal, 1 transparent, 37 user programmable |
| EDID support: | 256 byte Extended EDID |
| +5V Power on HDMI Outputs: | 500 mA |
| Power: | Universal power adaptor, DC 5V 2.5A (max) |
| Power consumption: | 1,8 W (max) |
| Enclosure: | 1 mm metal |
| Dimensions: | 100,4 W x 67,6 D x 26 H mm |
| Net weight: | 250 g |
| Warranty: | 3 years |

Connectors

| | |
|-----------------------------------|---------------------------------|
| Input / Output | HDMI connector / HDMI connector |
| Audio Output | 5 pole Phoenix type |
| Local Headphone Monitoring Output | 3.5 jack type |
| Control | Mini USB-B female connector |
| Power | DC connector (1.35/3.5 mm) |

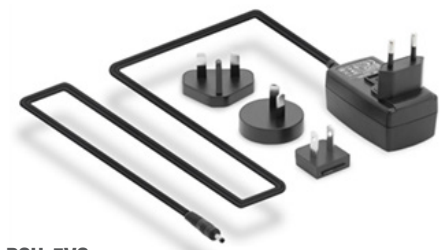
Optional accessory



Rack shelf
Part No: 5240 0269

The 1U high rack shelf provides mounting holes for fastening two half-rack or four quarter-rack sized units.

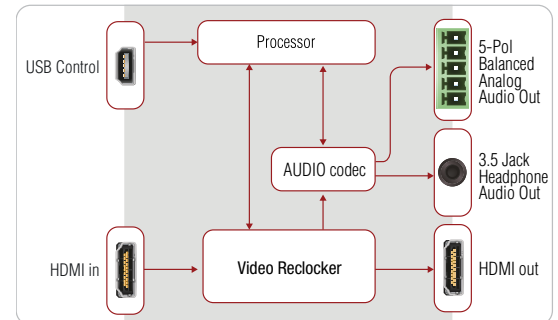
Supplied accessory



PSU-5VS
Part No: 1180 0050

Wall power adaptor with interchangeable plug for international use. Universal input: 100-240 V AC, 50-60 Hz, Output: 5 V DC, 2.5 A

Port Diagram



Standalone diagrams

