

# JBL SCL-7

2-Way Dual 5.25-inch (130mm) In-Wall Loudspeaker

JBL



## Highlights:

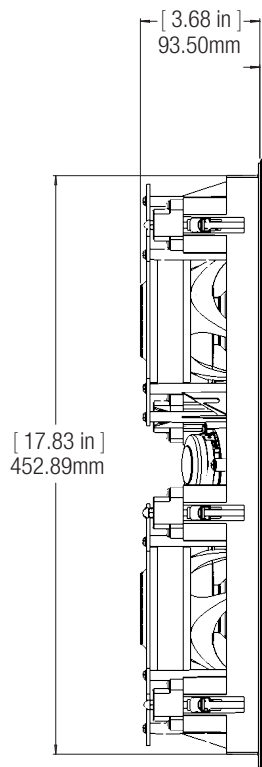
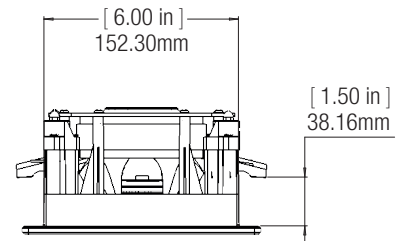
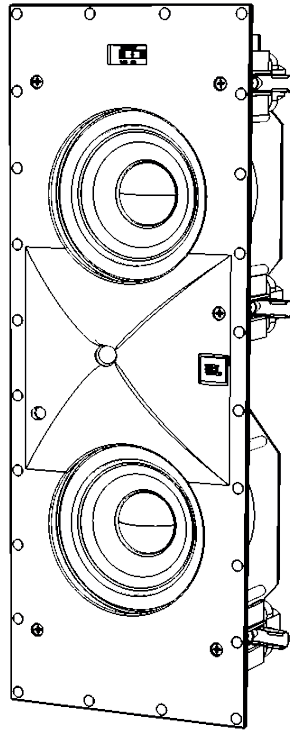
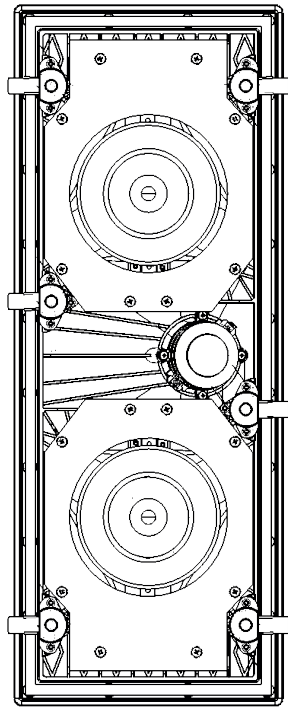
- 2-way in-wall loudspeaker system designed for off-axis listening as LCR and surround channels
- 1-inch 2410H-2 compression driver tweeter mated to a JBL patented High-Definition Imaging (HDI™) horn precision molded baffle assembly
- Two 5.25-inch (130mm) Advanced Aluminum Matrix cone cast frame woofers
- Can be mounted vertically or horizontally
- Patented Cat Claw installation mechanism
- Gold plated, spring-loaded binding posts
- Includes paintable zero-bezel, magnetically attached grilles
- Compatible with WB52 pre-construction bracket

## General Specifications:

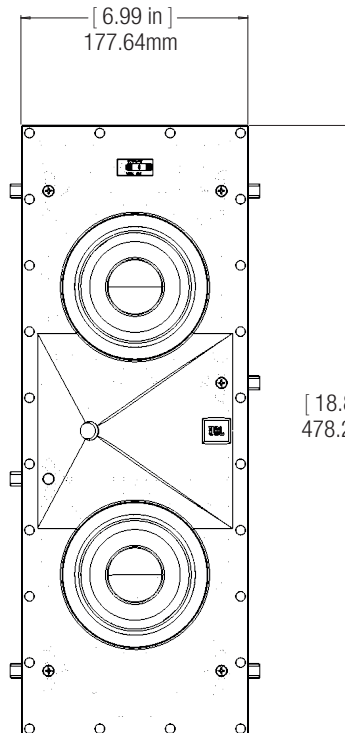
- ▶ Type: 2-way in-wall loudspeaker
- ▶ Low Frequency Driver: Two 5.25" (130mm) advanced Aluminum Matrix cone cast-frame woofers (JW13AI-4)
- ▶ High Frequency Driver: 1" (25mm) 2410H-2 Teonex® annular ring-diaphragm compression driver
- ▶ Recommended Amplifier Power: 25 – 150W RMS
- ▶ Impedance: 4 Ohm
- ▶ Loudspeaker Sensitivity: 88dB/2.83V/1m
- ▶ Frequency Response: 55Hz – 30kHz (-6dB on-axis), 2pi anechoic
- ▶ Crossover Frequency: 2.0kHz
- ▶ High Frequency Coverage Angle (-6dB): 60° Vertical, 90° Horizontal (Left: 30°, Right: 60°, from center line), from 2kHz to 15kHz
- ▶ Enclosure Type: Open back
- ▶ Controls: Boundary Proximity Control
- ▶ Grille Dimensions: 7.32" (186mm) x 19.15" (486mm)
- ▶ Product Dimensions (with grille): 7.32" (186mm) x 19.15" (486mm) x 3.88" (99mm)
- ▶ Cut-out Dimensions: 5.94" (151mm) x 17.80" (452mm)
- ▶ Rough-in Bracket: WB52
- ▶ Mounting Depth: 3.64" (93mm)
- ▶ Input Type: Gold-plated spring-loaded binding posts
- ▶ Product Weight: 12.6 lbs (5.72kg)
- ▶ Shipping Weight: 14.6 lbs (6.62kg)
- ▶ Shipping Units of Measure: Each
- ▶ Warranty: 5 Years

# JBL SCL-7

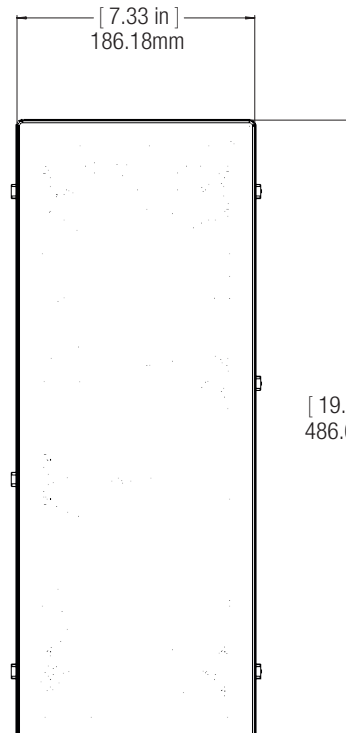
2-Way Dual 5.25-inch (130mm) In-Wall Loudspeaker



[ 0.157 in ]  
4.00mm



[ 18.83 in ]  
478.24mm



[ 19.16 in ]  
486.66mm



HARMAN International Industries, Incorporated  
8500 Balboa Boulevard, Northridge, CA 91329 USA  
[www.jblsynthesis.com](http://www.jblsynthesis.com)

© 2021 HARMAN International Industries, Incorporated. All rights reserved. JBL and JBL Synthesis are trademarks of HARMAN International Industries, Incorporated, registered in the United States and/or other countries. Features, specifications and appearance are subject to change without notice.