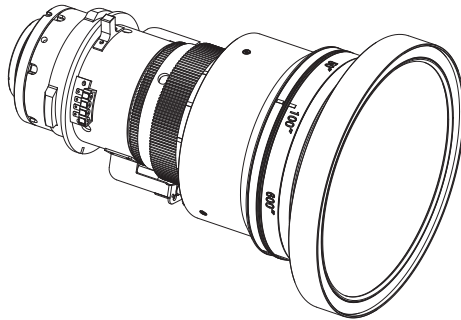


Panasonic®

Operating Instructions

Zoom Lens **Commercial Use**

Model No. **ET-DLE105**



ENGLISH

Thank you for purchasing this Panasonic product.

- To ensure correct use of this lens, please read the operating instructions supplied with the lens and the projector carefully.
- **Before using this product, be sure to read “Read this first!” (➡Page 3).**
- Please save this manual for future use.

Contents

Read this first!	3
Before Use	4
Attaching the Lens / Detaching the Lens	4
Before replacing the projection lens	4
Attaching the Lens.....	5
Detaching the Lens	6
Focus Adjustment.....	7
Projection relationships	8
Adjustment range by the lens position shift (optical shift)	10
Specifications	12
Dimensions	12
Dimensional relationship	Appendix

WARNING:

Do not look at or place your skin into the light emitted from the lens while the projector is being used.

Doing so can cause burns or loss of sight.

- Strong light is emitted from the projector's lens. Do not look at or place your hands directly into this light.
- In addition, turn off the power and switch off the main power when you are away from the projector.

Do not project an image with the lens cover attached.

- Doing so can cause fire.

CAUTION:

Before replacing the projection lens, be sure to turn off the power and disconnect the power plug from the wall outlet.

- Unexpected projection of light may cause injury to eyes.
- Replacing the projection lens without removing the power plug may result in electric shock.

Do not stand in front of the lens while the projector is being used.

Doing so can cause damage and burns to clothing.

- Strong light is emitted from the projector's lens.

Do not place objects in front of the lens while the projector is being used.

Doing so can cause fire, damage to an object, or malfunction of the projector.

- Strong light is emitted from the projector's lens.

Do not open the desiccant bag. Do not eat the contents.

Inadvertently ingesting desiccant could be harmful.

- If the desiccant gets into your eyes or mouth, immediately rinse with plenty of water and seek medical attention.
- Keep desiccant out of the reach of children.

Before Use

Supported projectors

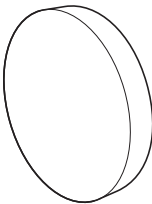

PT-RZ970 / PT-RW930 / PT-RX110 / PT-RZ770 / PT-RW730 / PT-RZ660 / PT-RW620 /
PT-DZ870 / PT-DW830 / PT-DX100 / PT-DZ780 / PT-DW750 / PT-DX820

Note

- This manual omits the alphabets at the end of projector model numbers.
- Models other than the above may also be supported. Refer to the operating instructions of the projector you are using.

Supplied Accessories

Make sure that the following has been provided.

Part name	Appearance (quantity)
Lens cover	  (The product is delivered with a lens cover attached.) 1 each

Attaching the Lens / Detaching the Lens

Before replacing the projection lens

Return the projection lens to the home position before replacing or removing it. For details on how to return the lens to the home position, refer to the operating instructions of the projector.

Attention

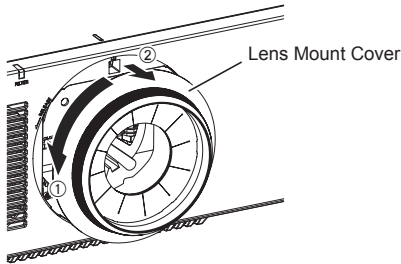
- Make sure that the projector power supply is switched off before attaching or detaching the projection lens.
- After removing the projection lens, store it safely away from vibration or impacts.
- Do not touch the electric contact points of the projection lens with your fingers. Dust and dirt on the contacts may cause contact malfunctions.
- Do not touch the surface of the lens with bare hands. Finger prints and dirt on the surface of the lens will be magnified by the lens and lower the quality of the projected image. Place the supplied lens cover on the zoom lens when the projector is not in use.
- The lens is made of glass. The lens could be damaged if brought into contact with or rubbed against hard objects. Handle the lens carefully.
- Use a clean, soft and dry cloth to wipe away dust and dirt from the lens.
Do not use fluffy cloths containing oil, water or dust for cleaning. The material in the lens is easily damaged, so do not apply excessive pressure when wiping it.

Attaching the Lens / Detaching the Lens (continued)

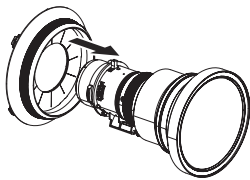
Attaching the Lens

Attention

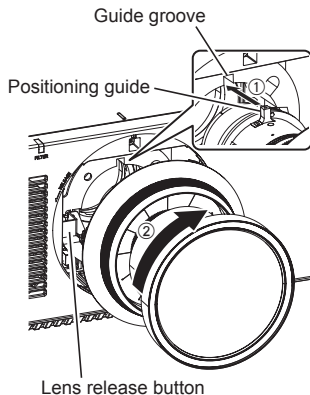
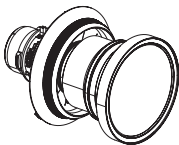
- Before attaching the Projection Lens, remove the lens hole cover (only lens options models) and the two lens covers attached to the Projection Lens.



- 1) Turn the lens mount cover counterclockwise to remove it.

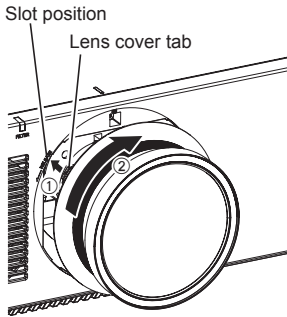


- 2) Pass the rear of the zoom lens through the lens mount cover until the lens mount cover is at about the front of the zoom lens.



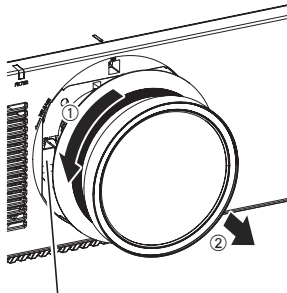
- 3) Align the positioning guide on the zoom lens with the guide groove on the projector, and insert the zoom lens all the way into the projector.
- 4) Turn the zoom lens clockwise until it clicks into place.
 - Turn the zoom lens counterclockwise, and check that it is locked into place.

Attaching the Lens / Detaching the Lens (continued)

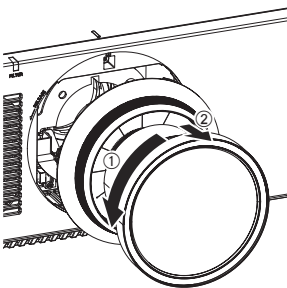


- 5) Insert the tab on the lens mount cover through the slot on the projector, and turn clockwise to secure lens mount cover.

Detaching the Lens



- 1) Turn the lens mount cover counterclockwise and remove it.
- 2) Press the lens release button.
 - A click will be heard.



- 3) Turn the zoom lens counterclockwise and remove it.

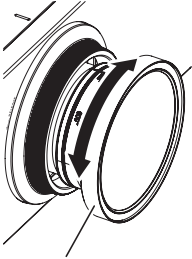
Attaching the Lens / Detaching the Lens (continued)

Focus Adjustment

The focus balance of the center of the projected image and that of the peripheral areas differs depending on the size of the image.

This lens is equipped with a function for adjusting the peripheral focus balance.

■ Adjusting the focus



Peripheral focus adjustment ring

- 1) Operate the projector to align the focus of the center of the image.
- 2) Manually turn the peripheral focus adjustment ring as shown on the left, and align the focus of the peripheral areas of the image.

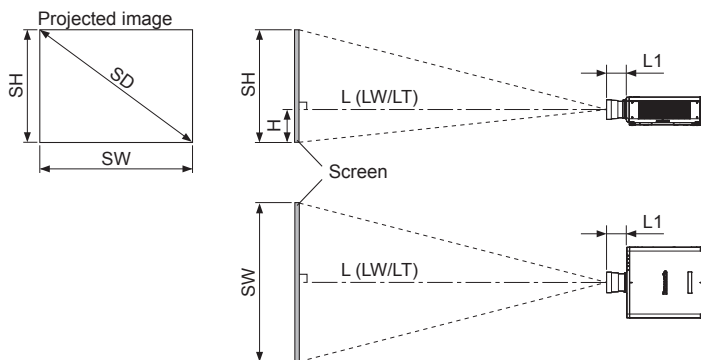
Attention

- The projected image sizes and their indicators shown on the peripheral focus adjustment ring are approximate guides.
- For details on projection distances, refer to the specifications of the projector (<https://eww.pavc.panasonic.co.jp/projector/extranet/main/spec/index.html>).

Projection relationships

The dimensional relationship between the screen and the projector is shown below.

Dimensional relationship diagram



(Unit: m)

Projection lens Model No.	Dimension for L1 (approximate value)
PT-RZ970 / PT-RW930 / PT-RX110 / PT-RZ770 / PT-RW730 / PT-RZ660 / PT-RW620 / PT-DZ870 / PT-DW830 / PT-DX100	0.088
PT-DZ780 / PT-DW750 / PT-DX820	0.068

Note

- This diagram assumes that the size and position of the projected image will be adjusted so that the image fills the entire screen.
- This illustration is not drawn to scale.

L		Projection distance
	LW	Minimum distance
	LT	Maximum distance
L1		Lens protrusion dimension
SH		Image height
H		Distance from the lens center to the lower edge of the projected image
SW		Image width
SD		Projected image size

Note

- The illustrations of projectors in this manual are for informational purposes only and do not represent a specific projector model. Configurations may vary with the model.

Attention

- To prevent blocking of the intake and exhaust vents, maintain clearances from walls and objects of at least 1 000 mm (3'3") for the exhaust vent and at least 500 mm (1'8") for the intake vent.
- Avoid setting up in places which are subject to sudden temperature changes, such as near an air conditioner or lighting equipment (studio lamps, etc.).

Projection relationships (continued)

■ Dimensional relationship

For details on the projection distance (L), refer to “Projected image size and Projection distance” and “Projection distance formulas” in the Appendix.

Note

- For details on “Projected image size and Projection distance” for projector models other than the following, refer to “Setting up” in the operating instructions of the projector.

PT-RZ970 / PT-RW930 / PT-RX110 / PT-RZ770 / PT-RW730 / PT-RZ660 / PT-RW620 /
PT-DZ870 / PT-DW830 / PT-DX100 / PT-DZ780 / PT-DW750 / PT-DX820

Adjustment range by the lens position shift (optical shift)

Perform the lens position shift within the adjustment range.

The focus may change when the lens position is shifted out of the adjustment range.

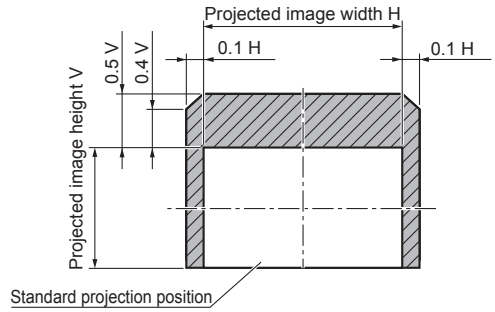
This is because the movement of the lens is restricted to protect the optical parts.

Projection position can be adjusted with the optical axis shift based on the home position in the respective range.

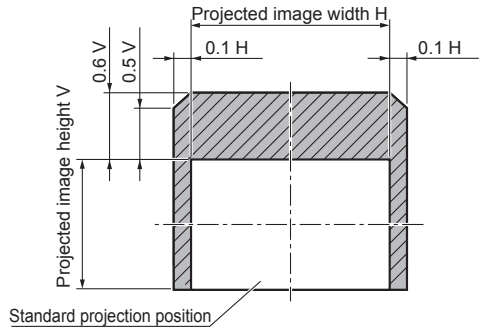
<p>PT-RZ970 / PT-RZ770 / PT-RZ660 / PT-DZ780</p>	
<p>PT-RW930 / PT-RW730 / PT-RW620 / PT-DW750</p>	
<p>PT-RX110 / PT-DX820</p>	

Adjustment range by the lens position shift (optical shift) (continued)

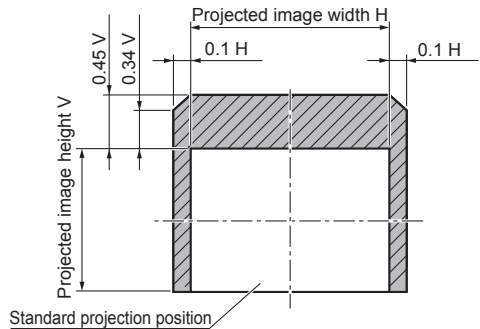
PT-DZ870



PT-DW830



PT-DX100

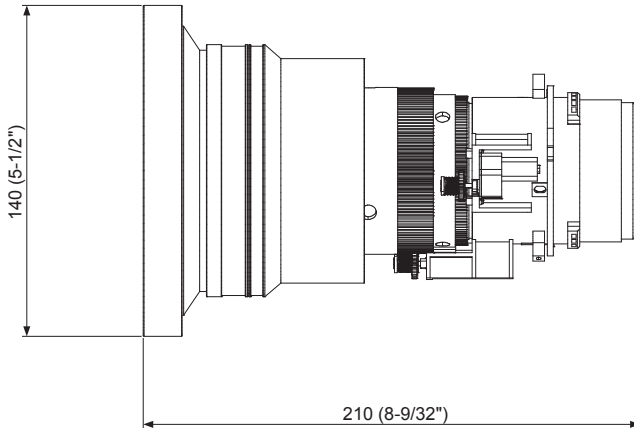


Specifications

F value	1.85 - 2.35
Focal Length (f)	14.7 mm (19/32") - 19.7 mm (25/32")
Dimensions	Width 140 mm (5-1/2") Height 140 mm (5-1/2") Depth 210 mm (8-9/32")
Net Weight	Approx. 1.2 kg (2.6 lb)

Dimensions

(Unit: mm)





Information for users in the European Union

Importer's name and address within the European Union
Panasonic Marketing Europe GmbH
Panasonic Testing Centre
Winsbergring 15, 22525 Hamburg, Germany

Disposal of Old Equipment

Only for European Union and countries with recycling systems



This symbol on the products, packaging, and/or accompanying documents means that used electrical and electronic products must not be mixed with general household waste. For proper treatment, recovery and recycling of old products, please take them to applicable collection points in accordance with your national legislation.

By disposing of them correctly, you will help to save valuable resources and prevent any potential negative effects on human health and the environment.

For more information about collection and recycling, please contact your local municipality. Penalties may be applicable for incorrect disposal of this waste, in accordance with national legislation.

Information on Disposal in other Countries outside the European Union

This symbol is only valid in the European Union.

If you wish to discard this product, please contact your local authorities or dealer and ask for the correct method of disposal.

Product Information (for Turkey only)



AEEE Yönetmeliğine Uygundur.

Eski Ekipman ve Bataryaların İşlenmesi.

Sadece geri dönüşüm sistemleri olan Avrupa Birliği ve ülkeleri için geçerlidir.

Ürünler, ambalaj ve/veya ekli belgeler üzerindeki bu semboller kullanılmış elektrik ve elektronik ürünlerin genel ev atığı ile karıştırılmaması gerektiğini ifade eder.

Eski ürünlerin toplanması ve geri kazanılması için bu atıklar lütfen yasayla belirlenmiş olan uygun toplama merkezlerine teslim ediniz.

Bu atıkların doğru işlenmesiyle, değerli kaynakların korunmasına ve insan sağlığı ve çevreye olası negatif etkilerinin engellenmesine yardımcı olabilirsiniz.

Atıkların toplanması ve geri dönüşümü için detaylı bilgi için lütfen bağlı olduğunuz yerel yönetimlerle iletişime geçiniz.

Atıkların atılmasıyla ilgili yanlış uygulamalar yasayla belirlenmiş olan cezalara sebebiyet verebilir.

Panasonic Corporation

Web Site : <https://panasonic.net/cns/projector/>

© Panasonic Corporation 2017

SS0217AM1047 -PS

Printed in Japan